

Backdraft Damper • 2" Deep • Single Thickness Blades • Pressure Relief Shutter • Extruded Aluminum

Standard Construction and Materials

- FRAME:** Standard 5/8" x 2" x 5/8" extruded aluminum channel, .080" thick (nominal).
- BLADES:** .060" thick (nominal) extruded aluminum.
- SHAFT:** 3/16" plated steel stub.
- SEALS:** Polyurethane foam at blade edges, none at jambs.
- BEARINGS:** 3/16" I.D. Oilite bronze.

Options

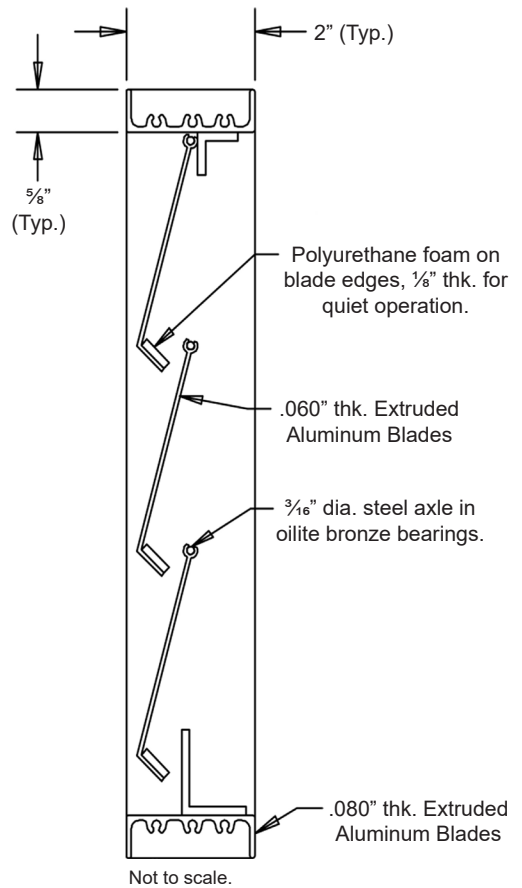
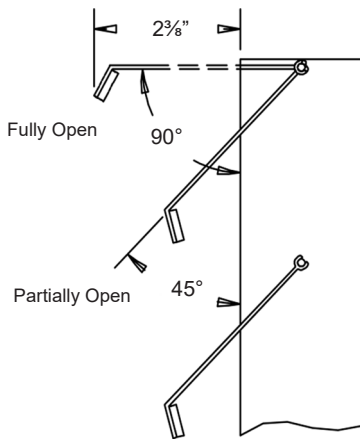
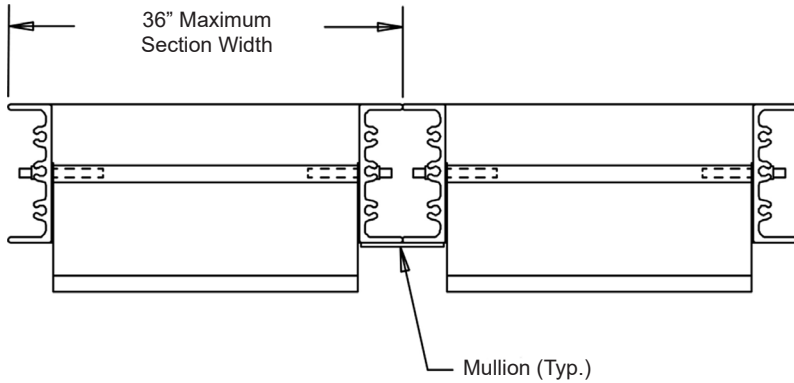
Various types of bird and insect screens.

Notes

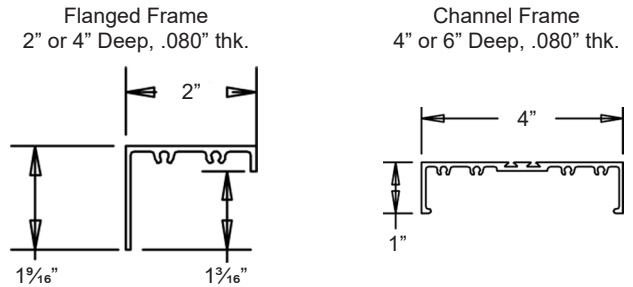
1. Nominal deductions will be made to the opening size given.
2. For counterweights, please specify airflow direction (horizontal, vertical up, or vertical down) and whether to the counterweight should assist or resist the damper opening.

Damper Sizes

Min Panel	Max Single Panel
12"W x 12"H	36"W x 72"H



Optional Frames



Item #	Qty	Width	Height	Width	Height	Mullion	Air Flow (Direction)		Union Made	
Arch. / Eng.:		Opening Size		Damper Size		EDR:	ECN:	Job:		
Contractor:										
Project:						Date:	DWN:	DWG:		

In the interest of product development, Cesco Products reserves the right to make changes without notice.



450 Riverside Dr • Wyalusing PA, 18853
 Phone: 570-746-1888 • Fax: 570-746-9286
 www.cescoproducts.com